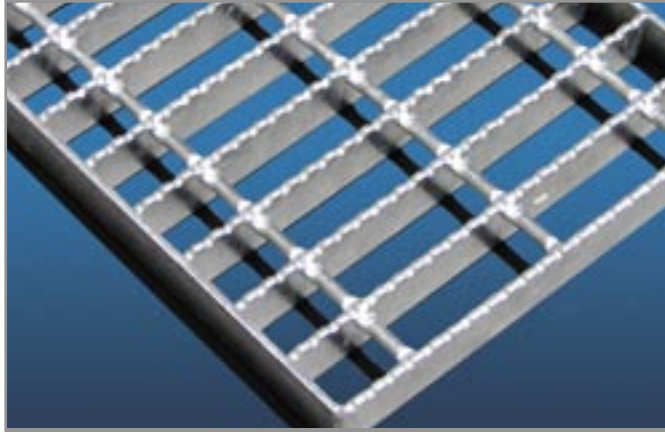


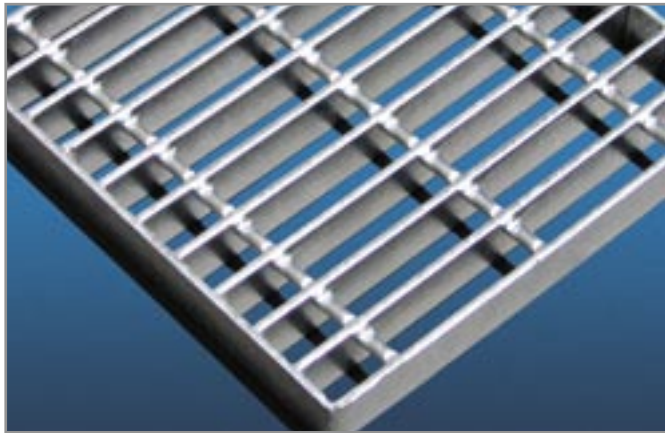
Preslok & Welded Grating



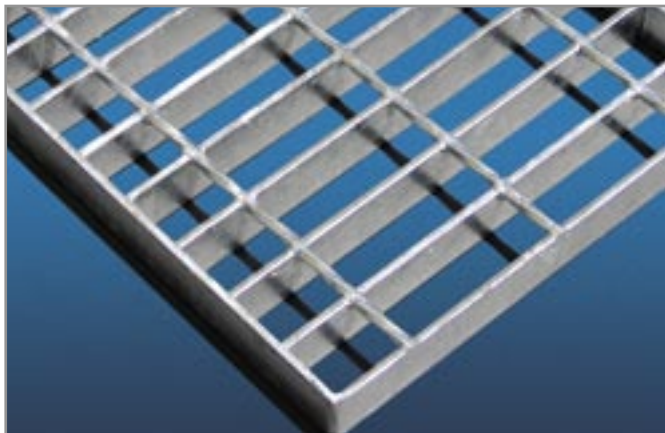
Expanded, Perforated & Wire Products



Preslok Grating Serrated Tread



Preslok Grating Plain Tread



Welded Grating Plain Tread

Preslok Grating Description & Identification

Preslok Code Description

Example: **P30A-325**

	P	30	A	32	5
Preslok Grating	/	/	/	/	/
Load Bar Pitch	/	/	/	/	/
Cross Bar Pitch	/	/	/	/	/
Load Bar Depth	/	/	/	/	/
Load Bar Thickness	/	/	/	/	/

TYPE P30A

Load and Cross Bar Identification Table

CODE	LOAD BAR PITCH (MM)	CROSS BAR PITCH (MM)
P30A	30	100
P30B	30	50
P40A	40	100
P40B	40	50
P60B	60	50

Preslok Standard Panel Sizes

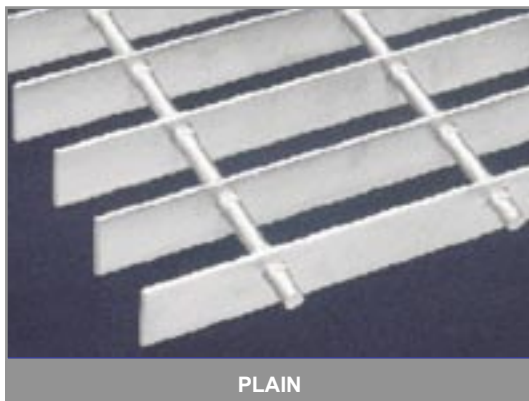
	LOAD BAR THICKNESS	SPAN X WIDTH	
TYPE 30	3mm	6000 x 1203	6000 x 1053
	5mm	6000 x 1205	6000 x 1055
TYPE 40	3mm	6000 x 1203	6000 x 1043
	5mm	6000 x 1205	6000 x 1045
TYPE 60	3mm	6000 x 1203	6000 x 1023
	5mm	6000 x 1205	6000 x 1025

Preslok Treatment

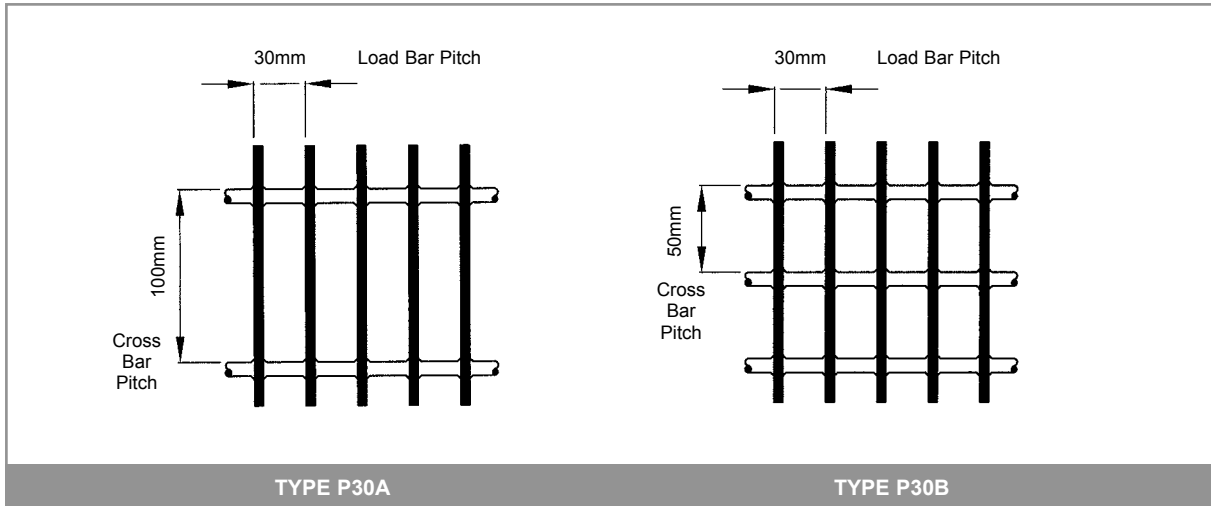
- Untreated
- Hot Dipped Galvanised
- Black Bitumen Dipped

Preslok Standards

- Material complies with AS 3679-250, AS1442-1992
- Galvanising to AS/NZS 4680-1999
- Design meets the requirements of AS1657-1992, AS4100-1998



Preslok Grating Type 30



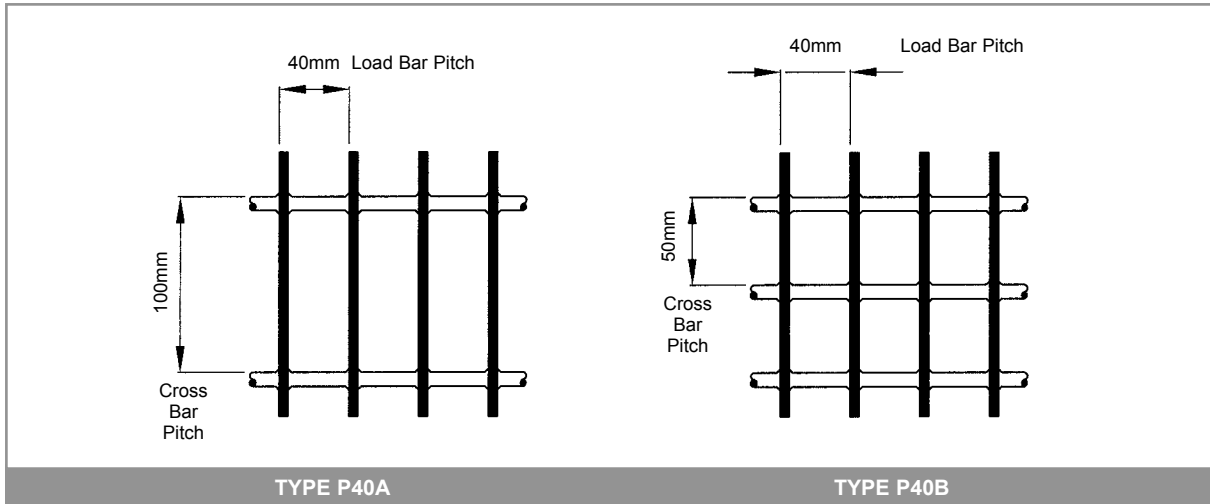
Load and Deflection Table - Type 30

Plain and Serrated profiles available

Code	Bar Size	Weight Kg/M2		Span (mm)													Serrated Factor	
				500	750	900	1000	1250	1500	1750	1800	2000	2100	2250	2400	2500		2750
P30A-253	25 x 3	24.1	U	52.98	23.52	13.61	9.91	5.08	2.94								0.84	
P30B-253			D	1.67	3.75	4.50	5.00	6.25	7.50									
			C	13.24	8.83	7.35	6.19	3.97	2.76									
			D	1.33	3.00	4.33	5.00	6.25	7.50									
P30A-255	25 x 5	37.4	U	86.78	38.53	22.29	16.25	8.33	4.81	3.02							0.84	
P30B-255			D	1.67	3.75	4.50	5.00	6.25	7.50	8.75								
			C	21.70	14.46	12.06	10.16	6.49	4.51	3.31								
			D	1.33	3.00	4.33	5.00	6.25	7.50	8.75								
P30A-323	32 x 3	29.6	U	76.29	33.90	23.52	17.15	8.78	5.08	3.20	2.94						0.87	
P30B-323			D	1.39	3.13	4.50	5.00	6.25	7.50	8.75	9.00							
			C	19.07	12.71	10.59	9.53	6.85	4.76	3.50	3.30							
			D	1.11	2.50	3.60	4.45	6.25	7.50	8.75	9.00							
P30A-325	32 x 5	46.6	U	124.98	55.54	38.53	28.09	14.38	8.33	5.24	4.81	3.50					0.87	
P30B-325			D	1.39	3.13	4.50	5.00	6.25	7.50	8.75	9.00	10.00						
			C	31.25	20.83	17.35	15.61	11.23	7.80	5.73	5.42	4.38						
			D	1.11	2.50	3.60	4.45	6.25	7.50	8.75	9.00	10.00						
P30A-403	40 x 3	36.0	U	135.64	60.28	41.86	33.90	20.80	12.05	7.59	6.97	5.08	4.18	3.17			0.9	
P30B-403			D	1.04	2.35	3.38	4.17	6.25	7.50	8.75	9.00	10.00	10.00	10.00				
			C	33.90	22.60	18.84	16.96	13.55	11.29	8.29	7.83	6.35	5.48	4.46				
			D	0.83	1.88	2.70	3.34	5.21	7.50	8.75	9.00	10.00	10.00	10.00				
P30A-405	40 x 5	57.5	U	222.18	98.73	68.58	55.54	34.08	19.73	12.42	11.42	8.33	6.85	5.20	4.02	3.41	0.9	
P30B-405			D	1.04	2.35	3.38	4.17	6.25	7.50	8.75	9.00	10.00	10.00	10.00	10.00	10.00		
			C	55.54	37.03	30.86	27.77	22.23	18.50	13.58	12.84	10.41	8.98	7.31	6.01	5.33		
			D	0.83	1.88	2.70	3.34	5.21	7.50	8.75	9.00	10.00	10.00	10.00	10.00	10.00		
P30A-505	50 x 5	70.8	U	385.71	171.42	119.04	96.43	61.71	42.80	26.95	24.77	18.06	14.86	11.26	8.71	7.40	5.05	0.92
P30B-505			D	0.83	1.88	2.70	3.34	5.21	7.50	8.75	9.00	10.00	10.00	10.00	10.00	10.00	10.00	
			C	96.43	64.29	53.56	48.21	38.57	32.14	23.12	26.79	22.58	19.49	15.85	13.05	11.55	8.68	
			D	0.67	1.50	2.16	2.67	4.17	6.01	8.18	8.65	10.00	10.00	10.00	10.00	10.00		

U = Kilopascals C = Kilonewtons Width line load D = Deflection at centre (mm)
 Deflection Criteria: 1/200 of span or 10mm whichever is the lesser.
 Bending Stress Criteria: 195MPa
 Add 12% to weights shown for panels that have been fabricated and galvanised.

Preslok Grating Type 40



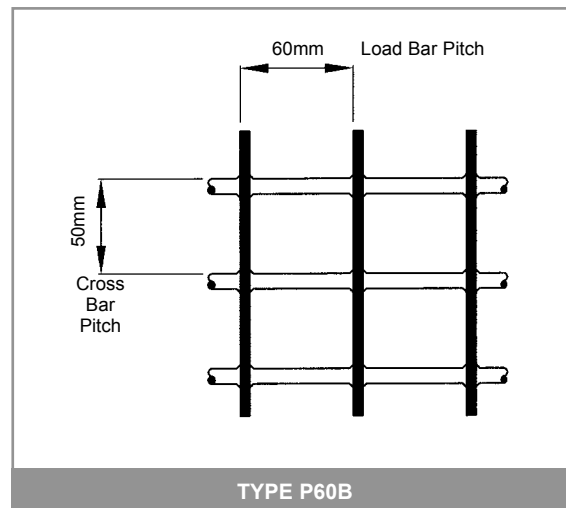
Load and Deflection Table - Type 40

Plain and Serrated profiles available

Code	Bar Size	Weight Kg/M2		Span (mm)														Serrated Factor
				500	750	900	1000	1250	1500	1750	1800	2000	2100	2250	2400	2500	2750	
P40A-253	25 x 3	19.2	U	42.05	18.67	10.80	7.87	4.03	2.33									0.84
P40B-253			D	1.67	3.75	4.50	5.00	6.25	7.50									
			C	10.51	7.01	5.84	4.92	3.15	2.19									
			D	1.33	3.00	4.33	5.00	6.25	7.50									
P40A-255	25 x 5	29.3	U	68.87	30.58	17.69	12.90	6.61	3.82	2.40								0.84
P40B-255			D	1.67	3.75	4.50	5.00	6.25	7.50	8.75								
			C	17.22	11.48	9.57	8.06	5.15	3.58	2.63								
			D	1.33	3.00	4.33	5.00	6.25	7.50	8.75								
P40A-323	32 x 3	23.4	U	60.55	26.91	18.67	13.61	6.97	4.03	2.54	2.33							0.87
P40B-323			D	1.39	3.13	4.50	5.00	6.25	7.50	8.75	9.00							
			C	15.14	10.09	8.41	7.57	5.44	3.78	2.78	2.62							
			D	1.11	2.50	3.60	4.45	6.25	7.50	8.75	9.00							
P40A-325	32 x 5	36.2	U	99.19	44.08	30.58	22.29	11.41	6.61	4.16	3.82	2.78						0.87
P40B-325			D	1.39	3.13	4.50	5.00	6.25	7.50	8.75	9.00	10.00						
			C	24.80	16.53	13.77	12.39	8.91	6.19	4.55	4.30	3.48						
			D	1.11	2.50	3.60	4.45	6.25	7.50	8.75	9.00	10.00						
P40A-403	40 x 3	28.2	U	107.64	47.84	33.22	26.91	16.51	9.56	6.02	5.53	4.03	3.32	2.52				0.9
P40B-403			D	1.04	2.35	3.38	4.17	6.25	7.50	8.75	9.00	10.00	10.00	10.00				
			C	26.91	17.94	14.95	13.46	10.76	8.96	6.58	6.22	5.04	4.35	3.54				
			D	0.83	1.88	2.70	3.34	5.21	7.50	8.75	9.00	10.00	10.00	10.00				
P40A-405	40 x 5	44.5	U	176.33	78.36	54.43	44.08	27.05	15.66	9.86	9.06	6.61	5.44	4.13	3.19	2.71		0.9
P40B-405			D	1.04	2.35	3.38	4.17	6.25	7.50	8.75	9.00	10.00	10.00	10.00	10.00	10.00		
			C	44.08	29.39	24.49	22.04	17.64	14.68	10.78	10.19	8.26	7.13	5.80	4.77	4.23		
			D	0.83	1.88	2.70	3.34	5.21	7.50	8.75	9.00	10.00	10.00	10.00	10.00	10.00		
P40A-505	50 x 5	54.5	U	306.12	136.05	94.48	76.53	48.89	33.97	21.39	19.66	14.33	11.79	8.94	6.91	5.87	4.01	0.92
P40B-505			D	0.83	1.88	2.70	3.34	5.21	7.50	8.75	9.00	10.00	10.00	10.00	10.00	10.00	10.00	
			C	76.53	51.02	42.51	38.26	30.61	25.51	21.86	21.26	17.92	15.47	12.58	10.36	9.17	6.89	
			D	0.67	1.50	2.16	2.67	4.17	6.01	8.18	8.65	10.00	10.00	10.00	10.00	10.00	10.00	

U = Kilopascals C = Kilonewtons Width line load D = Deflection at centre (mm)
 Deflection Criteria: 1/200 of span or 10mm whichever is the lesser.
 Bending Stress Criteria: 195MPa
 Add 14% to weights shown for panels that have been fabricated and galvanised.

Preslok Grating Type 60



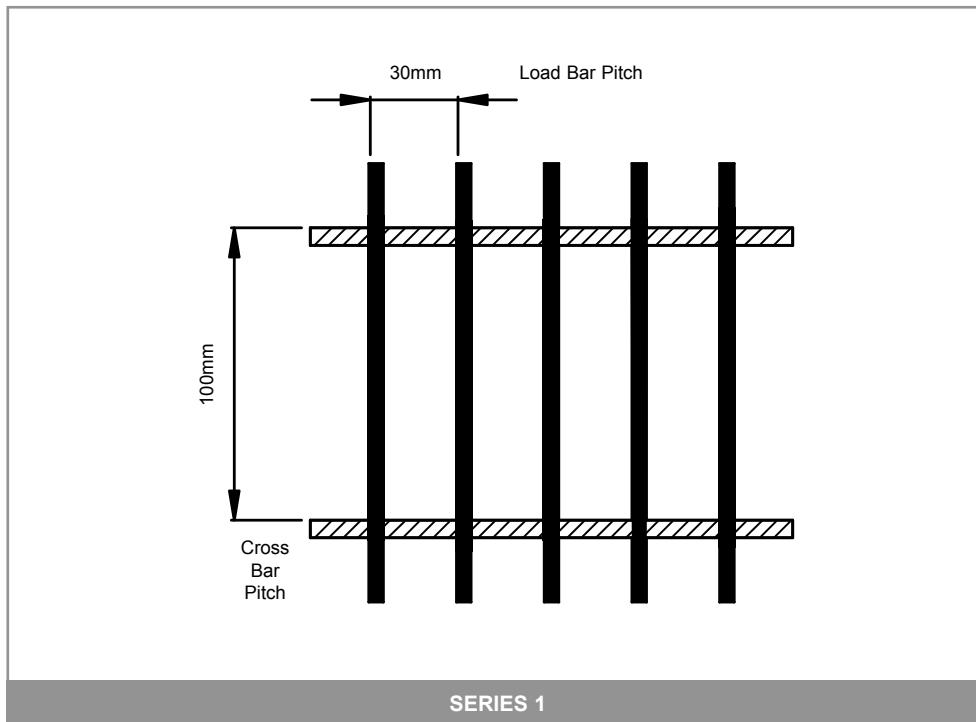
Load and Deflection Table - Type 60

Plain and Serrated profiles available

Code	Bar Size	Weight Kg/M2		Span (mm)														Serrated Factor
				500	750	900	1000	1250	1500	1750	1800	2000	2100	2250	2400	2500	2750	
P60B-253	25 x 3	18.4	U	26.49	11.76	6.80	4.96	2.54	1.47									0.84
			D	1.67	3.75	4.50	5.00	6.25	7.50									
			C	6.62	4.42	3.68	3.10	1.98	1.38									
P60B-255	25 x 5	25.2	U	43.39	19.27	11.14	8.13	4.16	2.41	1.51								0.84
			D	1.67	3.75	4.50	5.00	6.25	7.50	8.75								
			C	10.85	7.23	6.03	5.08	3.24	2.26	1.66								
P60B-323	32 x 3	21.2	U	38.14	16.95	11.76	8.571	4.39	2.54	1.60	1.47							0.87
			D	1.39	3.13	4.50	5.00	6.25	7.50	8.75	9.00							
			C	9.54	6.36	5.30	4.77	3.43	2.38	1.75	1.65							
P60B-325	32 x 5	29.9	U	62.49	27.77	19.27	14.04	7.17	4.16	2.62	2.41	1.75						0.87
			D	1.39	3.13	4.50	5.00	6.25	7.50	8.75	9.00	10.00						
			C	15.62	10.41	8.68	7.81	5.61	3.90	2.87	2.71	2.19						
P60B-403	40 x 3	24.5	U	67.81	30.13	20.93	16.95	10.40	6.03	3.79	3.48	2.54	2.09	1.59				0.9
			D	1.04	2.35	3.38	4.17	6.25	7.50	8.75	9.00	10.00	10.00	10.00				
			C	16.95	11.30	9.42	8.48	6.78	5.65	4.15	3.92	3.18	2.74	2.23				
P60B-405	40 x 5	35.5	U	111.09	49.37	34.29	27.77	17.04	9.87	6.21	5.71	4.16	3.43	2.60	2.01	1.71		0.9
			D	1.04	2.35	3.38	4.17	6.25	7.50	8.75	9.00	10.00	10.00	10.00	10.00	10.00		
			C	27.77	18.52	15.74	13.89	11.11	9.25	6.79	6.42	5.20	4.49	3.65	3.01	2.66		
P60B-505	50 x 5	42.3	U	192.86	85.71	59.52	48.21	30.86	21.40	13.48	12.39	9.03	7.43	5.63	4.35	3.70	2.53	0.92
			D	0.83	1.88	2.70	3.34	5.21	7.50	8.75	9.00	10.00	10.00	10.00	10.00	10.00		
			C	48.21	32.14	26.78	24.10	19.28	16.07	13.77	13.39	11.29	9.75	7.53	6.53	5.78	4.34	
			D	0.67	1.50	2.16	2.67	4.17	6.01	8.18	8.65	10.00	10.00	10.00	10.00	10.00		

U = Kilopascals C = Kilonewtons Width line load D = Deflection at centre (mm)
 Deflection Criteria: 1/200 of span or 10mm whichever is the lesser.
 Bending Stress Criteria: 195MPa
 Add 16% to weights shown for panels that have been fabricated and galvanised.

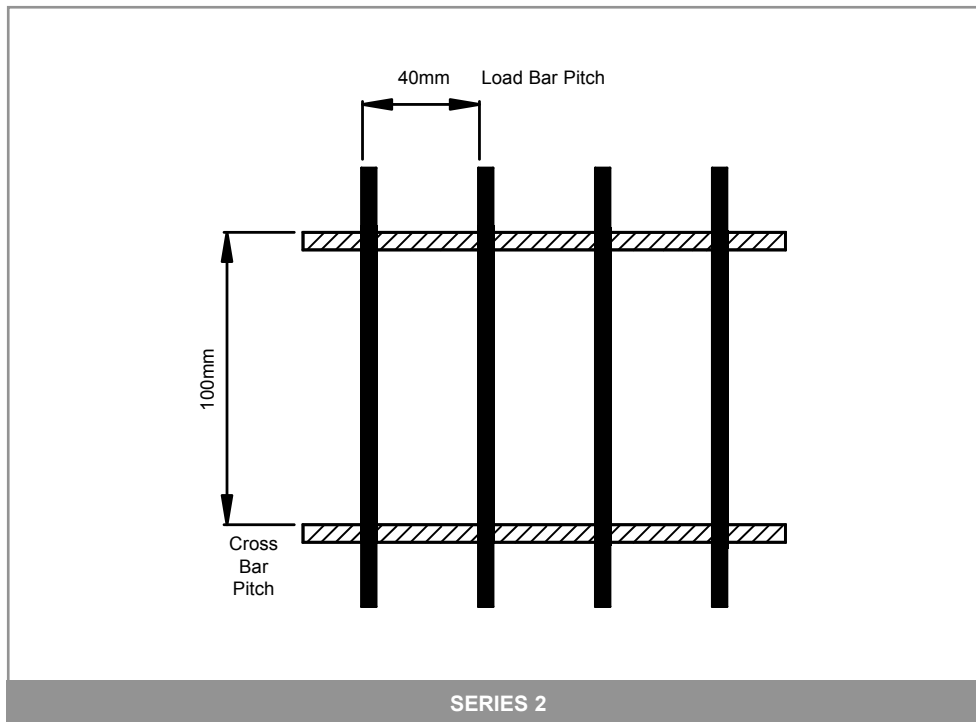
Series 1 Welded Grating



Code	Panel Size (mm)	Bar Size (mm)	Maximum Span (mm)	Weight (Kg/m ²)
EI 203/1	5800 x 993	20 x 3	1050	18.8
EI 205/1	5800 x 995	20 x 5	1200	29.5
EI 253/1	5800 x 993	25 x 3	1250	22.8
EI 255/1	5800 x 995	25 x 5	1400	36.2
EI 323/1	5800 x 993	32 x 3	1500	28.4
EI 325/1	5800 x 995	32 x 5	1700	45.5
EI 403/1	5800 x 993	40 x 3	1750	34.9
EI 405/1	5800 x 995	40 x 5	2000	56.2
EI 505/1	5800 x 995	50 x 5	2400	69.6
EI 655/1	5800 x 995	65 x 5	2900	89.6

Maximum recommended spans are for a given load bar size having a deflection of less than 5mm for a 4kPa uniformly distributed load.

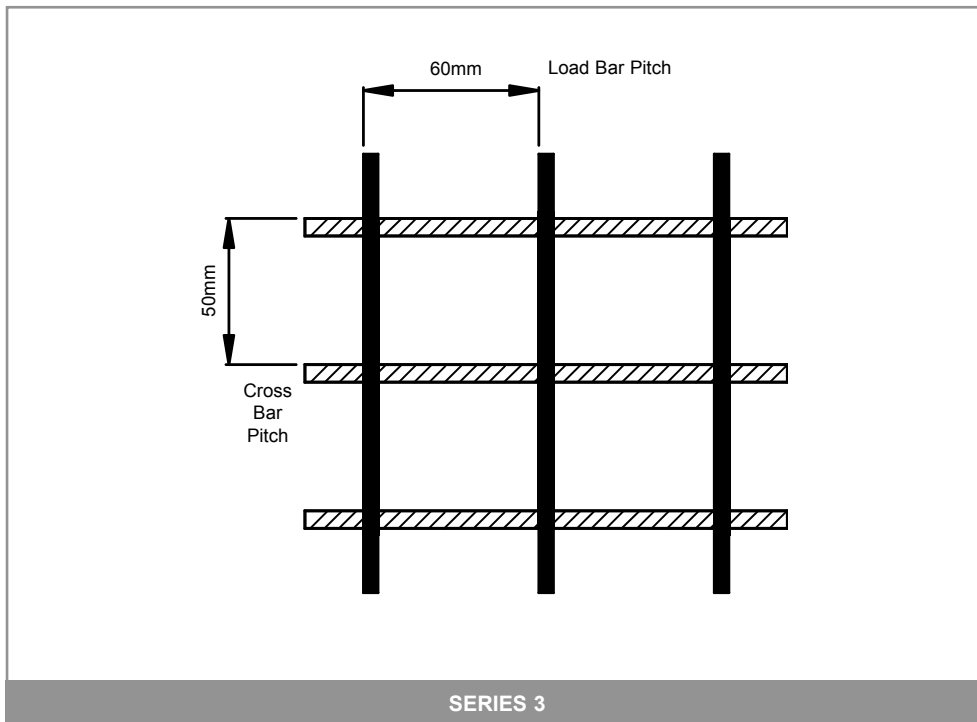
Series 2 Welded Grating



Code	Panel Size (mm)	Bar Size (mm)	Maximum Span (mm)	Weight (Kg/m ²)
EI 203/2	5800 x 1003	20 x 3	1000	14.6
EI 205/2	5800 x 1005	20 x 5	1100	22.5
EI 253/2	5800 x 1003	25 x 3	1150	17.5
EI 255/2	5800 x 1005	25 x 5	1330	27.4
EI 323/2	5800 x 1003	32 x 3	1400	21.7
EI 325/2	5800 x 1005	32 x 5	1600	34.2
EI 403/2	5800 x 1003	40 x 3	1650	26.4
EI 405/2	5800 x 1005	40 x 5	1900	42.1
EI 505/2	5800 x 1005	50 x 5	2230	51.9
EI 655/2	5800 x 1005	65 x 5	2700	66.6

Maximum recommended spans are for a given load bar size having a deflection of less than 5mm for a 4kPa uniformly distributed load.

Series 3 Welded Grating



Code	Panel Size (mm)	Bar Size (mm)	Maximum Span (mm)	Weight (Kg/m ²)
EI 255/3	5800 x 965	25 x 5	1150	15.7
EI 325/3	5800 x 965	25 x 5	1400	27.0

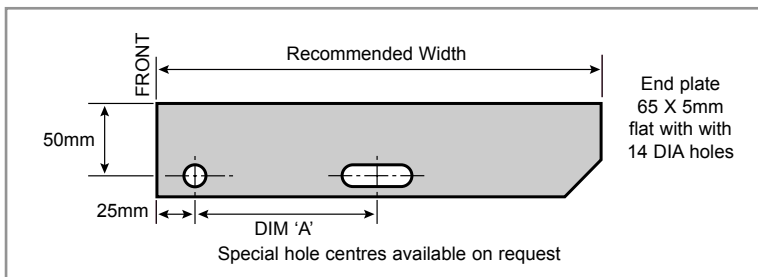
Maximum recommended spans are for a given load bar size having a deflection of less than 5mm for a 4kPa uniformly distributed load.

Grating Stairtreads, Fastening & Ordering

Stairtread Information

Tread Code	Tread description
PT1	Welded fixing - no nosing
PT2	Bolted fixing - no nosing
PT3	Welded fixing - floor plate nosing
PT4	Bolted fixing - floor plate nosing
PT5	Welded fixing - abrasive nosing
PT6	Bolted fixing - abrasive nosing
PT7	Welded fixing - perforated nosing
PT8	Bolted fixing - perforated nosing

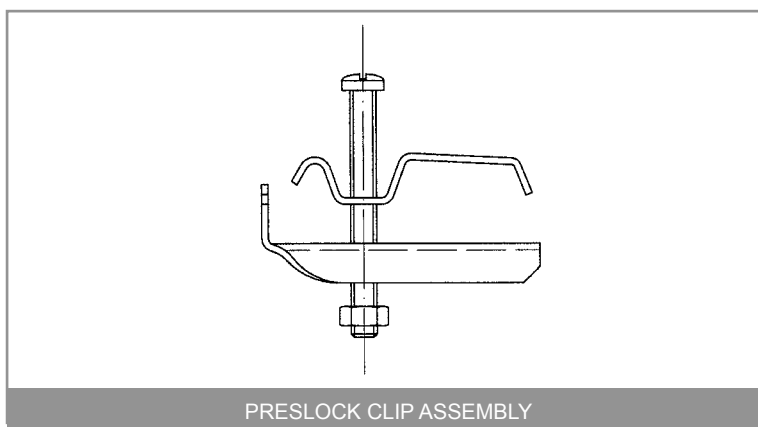
1. Specify grating profile.
2. Nominate plain or serrated load bars.
3. Panels to be banded or unedged.
4. Finish required - untreated
 - galvanised
 - black bitumen
5. Quantity and sizes: specify span dimension first followed by width e.g. 2400lb x 1205.
6. Nominate if retention mesh is required (used to offer additional safety by preventing many small objects falling from elevated platforms).
7. Specify if fixing clips are required.



		Recommended Standard Widths						
Type 30 / Series 1	PT1 & PT2	125	155	185	215	245	275	305
Type 40 / Series 2	PT1 & PT2	125	165		205	245	285	325
Type 60 / Series 3	PT1 & PT2			185		245		305
Type 30 / Series 1	PT3 to 8	125	155	185	215	245	275	305
Type 40 / Series 2	PT3 to 8	115	155		195	235	275	315
Type 60 / Series 3	PT3 to 8		155		215	275		
Dim 'A'	Hole Centres	45	75	75	100	100	125	125

		Recommended Maximum Tread Length		
Load bar size		25 X 5	32 X 5	40 X 5
Type 30 / Series 1		900	1300	1600
Type 40 / Series 2		750	1200	1500
Type 60 / Series 3		500	800	1300

NOTE: When ordering please specify grating profile required.

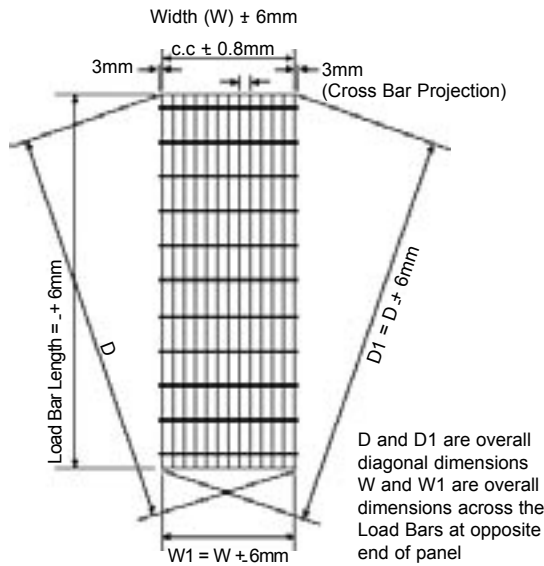


PRESLOCK CLIP ASSEMBLY

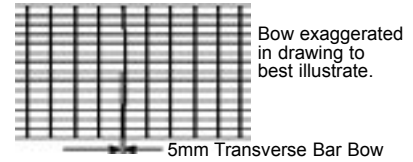
Hot Dipped Galvanised Finish suitable for all panels and can also be used to secure adjoining panels.

1. Clips are suitable to install whilst working on top of the grating.
2. The fastener is designed for use with either Type 30, 40 or 60 grating profiles.
3. Adjoining Preslok panels can be secured with the same fastener.
4. By using the top portion of the fastener, combined with a self drilling screw, grating can be secured to areas where no flanges are available on supporting structure.

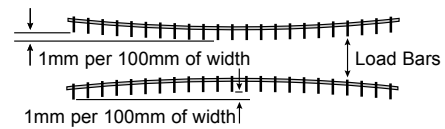
Manufacturing & Installation Tolerances



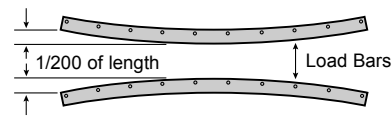
OVERALL DIMENSIONS AND SQUARENESS



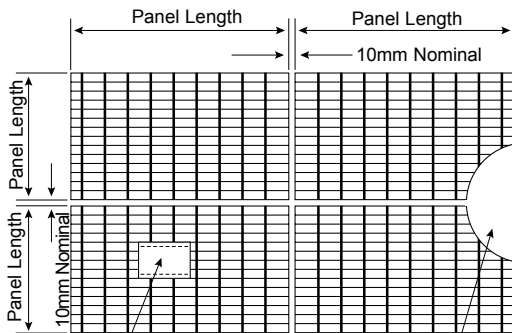
SPACING & ALIGNMENT FOR CROSS BARS



TRANSVERSE BOW (before fastening to supports)



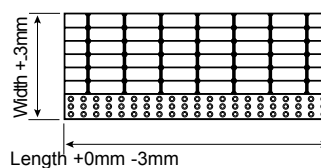
LONGITUDINAL BOW



Actual cut-out taken to nearest Load Bar
Cut-outs around pipes and circular ducts to have minimum clearance of 25mm all round

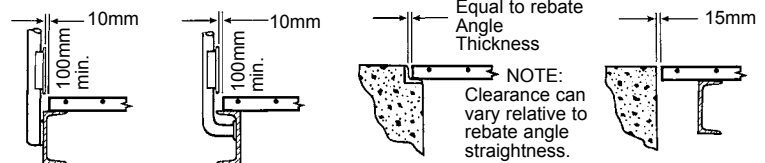
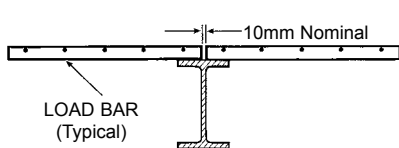
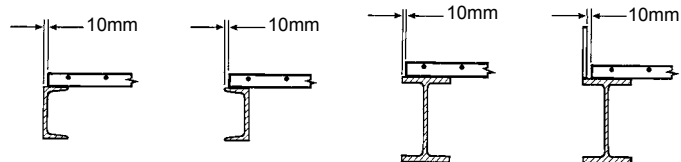
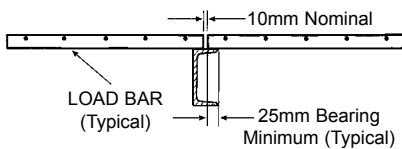
FABRICATION WELDING

Edge Bars and attachments are welded with a minimum 3mm fillet weld to one side of:
Every 5th Load Bar on Type 30 grating
Every 4th Load Bar on Type 40 grating
Every 3rd Load Bar on Type 60 grating



END FLAT LEAN
Fabrication welding edge bars and end plates welded on side of every load bar with a minimum 3mm fillet weld
25mm
1mm




NOTE: Length of tread is distance between outer faces of the End Flats.



KICK-PLATE MOUNTING BRACKET DETAILS



Locker Group Pty. Ltd. 2 Cojo Place, Dandenong South, Victoria 3175 Australia. ABN 99 004 353 922
Phone: +613 8791 1000 Fax: +613 8791 1099 Email: info@locker.com.au Website: www.locker.com.au

 Expanded & Perforated	 Materials Handling & Wire Products	 Polyurethane Screening <small>A division of the Locker Group</small>	
Victoria: <i>Dandenong South</i> P: (03) 8791 1000 F: (03) 8791 1099	Victoria: <i>Braybrook</i> P: (03) 9313 2222 F: (03) 9364 9381	New South Wales: <i>Revesby</i> P: (02) 9771 4311 F: (02) 9774 5878	Queensland: <i>Rocklea</i> P: (07) 3277 9733 F: (07) 3277 4969
NORTH QUEENSLAND: <i>Garbutt</i> P: (07) 4725 5000 F: (07) 4725 5994	SOUTH AUSTRALIA: <i>Clovelly Park</i> P: (08) 8276 4745 F: (08) 8276 9530	WESTERN AUSTRALIA: <i>Welshpool</i> P: (08) 9355 6500 F: (08) 9355 6555	NORTHERN TERRITORY <i>Berrimah</i> P: (08) 8947 3866 F: (08) 8947 0622